



Attention: Before operating BSV type non-cable clean vehicle , user must read this operating manual carefully, please! Keeping the manual for reference.

BSV Type Non-Cable Clean Vehicle

Executing standard:Q/320500 BSK 018-2005

OPERATING MANUAL

ISO9001: 2000 CERTIFIED

**SUZHOU CLEANING TECH. RESEARCH INSTITUTE
BAISHEN TECHNOLOGY (SUZHOU) CO., LTD.**

Welcome to use BSV Type Non-Cable Clean Vehicle, thank you warmly entering into our company's consumer team!

1. General description

Clean vehicle is a kind of mobile and vertical flow air-cleaning device, which equips an operating range with no dust and bacteria. This device is used in the transportation of materials between two rooms for technical research units and factories, which partly need non-bacteria and cleaning operating circles such as hospitals, medicine-factories and medical laboratories.

2. Technical specification

Model Parameter	BSV-880	BSV-1360
Cleanliness	Class 100@ $\geq 0.5\mu\text{m}$ (US FED 209E)	
Colony Fungus Unit	≤ 0.5 piece/h ($\varphi 90\text{mm}$)	
Noise	$\leq 65\text{dB}$ (A weighting)	
Internal Dimension (mm)	880×650×(520-950)	1320×650×(520-950)
Outline Dimension (mm)	1040 ×700× (1310-1740)	1480×700× (1310-1740)
Continuous Using Time After Per Charge	$\geq 6\text{h}$	
Power supply	DC24V	
Charge Current	2A	
Charge Time	8 个小时	

Remark: can select 220V AC clean laminar flow vehicle, the power is 220V/50Hz here.

3. Operating principle

Clean vehicle is a kind of mobile and vertical air partly cleaning devices. After being firstly filtered by the roughing air filter, the outer air is sucked into the static pressure case through variable velocity centrifugal machine. It is secondly filtered by the high efficiency particulate air filter (HEPA). The cleaning flow through the outlet of the HEPA with a mean and certain crosscut velocity through the operating range takes

the dust particles and biological particles away to make an operating range with no bacteria.

4. Construction

The half part above of the clean vehicle is the flow outlet and the half part below is the table flat and supporting brackets. The clean vehicle is all made of stainless steel. In the outlet, there are new non-woven scrim roughing air filters, HEPA filters and a small low-noise variable-velocity centrifugal flow motor. It features beautiful appearance, compact construction, convenient maintenance, easy operation and etc.

5. Operation

5.1 If the working cabin has not been used for a long time, before operating its circle must be cleaned with super vacuum cleaners or other tools, which cannot make fiber. Then, bactericidal agent or ultraviolet rays should be used to kill the bacteria.

5.2 The flow motor should be on 10 minutes before operation.

5.3 After all of material transported on the clean vehicle, shut the door at once to prevent material from polluting.

5.4 The clean vehicle has preventing under-voltage circuit. If the flow motor cannot work or stops suddenly, it shows that electric quantity is not sufficient and needs charge. Charge current and time as 2.8 and 2.9.(when the AC clean laminar flow vehicle be selected, the item is inapplicable.)

5.5 Before the clean vehicle works, turn on power and then the flow motor. Before the clean vehicle stops working, turn off the flow motor and then power.

5.6 When the clean vehicle is in charge, turn on power first and then connect 220V AC power supply (charger built-in). Charge time is 8h or so. When the clean vehicle is in charge, nurse it carefully. If the battery is over charge, it will be broken.

6. Circuit diagram and structure picture

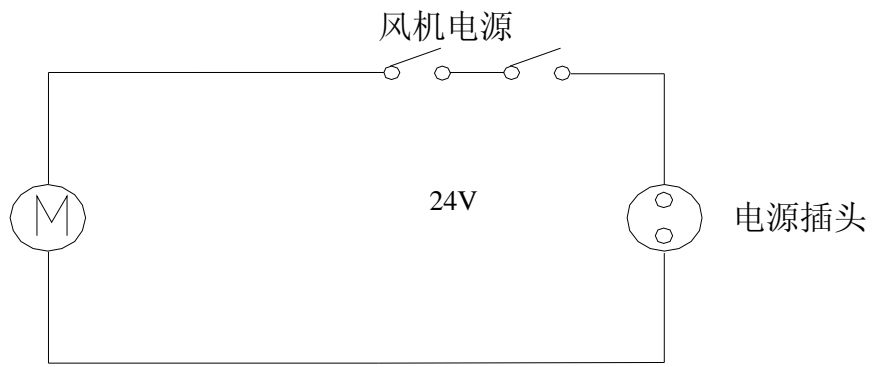


图 1 电原理图

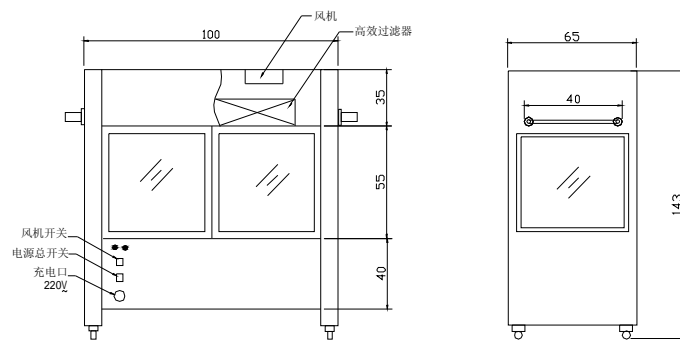


图 2 结构参考图

**BSV Type Non-Cable Clean Vehicle
OPERATING MANUAL**

**SUZHOU CLEANING TECH. RESEARCH INSTITUTE
BAISHEN TECHNOLOGY (SUZHOU) CO., LTD.**

Add: 31 Qihong Road, Tongyuan Road ,SIP Suzhou

Zip: 215006

Phone: +86-512-62522538

Fax: +86-512-62522938

<http://www.baishen.com>

E-mail: clean@baishen.com

2004 Printed in Suzhou